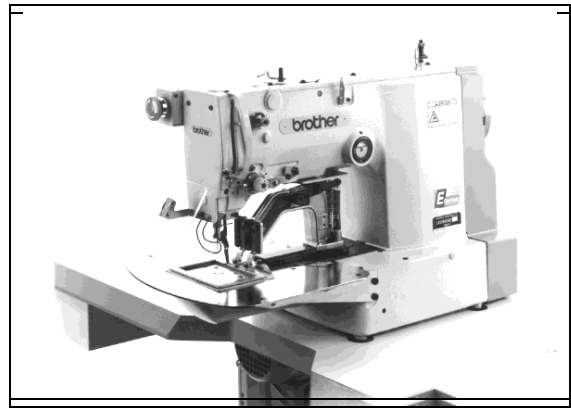


# KE-434C

Electronic Lockstitch Pattern Tacker

# KE-435C

Electronic Lockstitch Pattern Tacker  
with Stepping Foot



## KE-434C-X□

## KE-435C

1	Medium-weight materials
2	Heavy-weight materials

### Specifications

	KE434C Electronic lockstitch pattern tacker	KE435C Electronic lockstitch pattern tacker with stepping foot
Stitch formation	Single needle lock stitch	
Max. sewing speed	2,500 rpm (Pitch: 3mm)	
Maximum pattern size	100 x 60 mm max.	
Feed mechanism	R-θIntermittent feed mechanism (pulse-motor driven mechanism)	
Stitch length	0.1 – 10.0 mm	
No. of stitches	Variable	
Max. stitch number	20,000 stitches (including 10,000 stitches which can be added.)	
Work clamp lifter	Solenoid type or pneumatic type	
Work clamp height	17 mm max. (for solenoid) 25 mm max. (for pneumatic) (Max. 17 mm for inner clamping device)	
Hook	Shuttle hook (shuttle hook 2, optional)	
Wiper device	Standard equipment	
Thread trimmer device	Standard equipment	
Thread take-up device	Standard equipment	
Stepping foot lift amount		18 mm
Stepping foot stroke		0 mm, 3 – 8 mm
Safety device	Built-in stopping mechanism	
Data storage method	P-ROM (Any sewing pattern can be added using PS-3000.)	
No. of user programs	16	
No. of cycle programs	4	
No. of stored data	Up to 100 patterns can be added. Total number of stitches of stored data which can be added is within 10,000.	
Motor	Three-phase 400W induction motor	
Weights	Machine head: 56 kg    Operation panel: 0.6 kg    Control box: 9 – 19 kg (depending on destination)	
Power source	Single-phase 110, 220 – 230, 240 V 3-phase 220 – 230, 380, 400 V Maximum electric power consumption; 600 VA	

#### Main use

Patterns up to a maximum size of 100 mm x 60 mm can be sewn.

For plain stitching of small articles, curtain darts, etc.

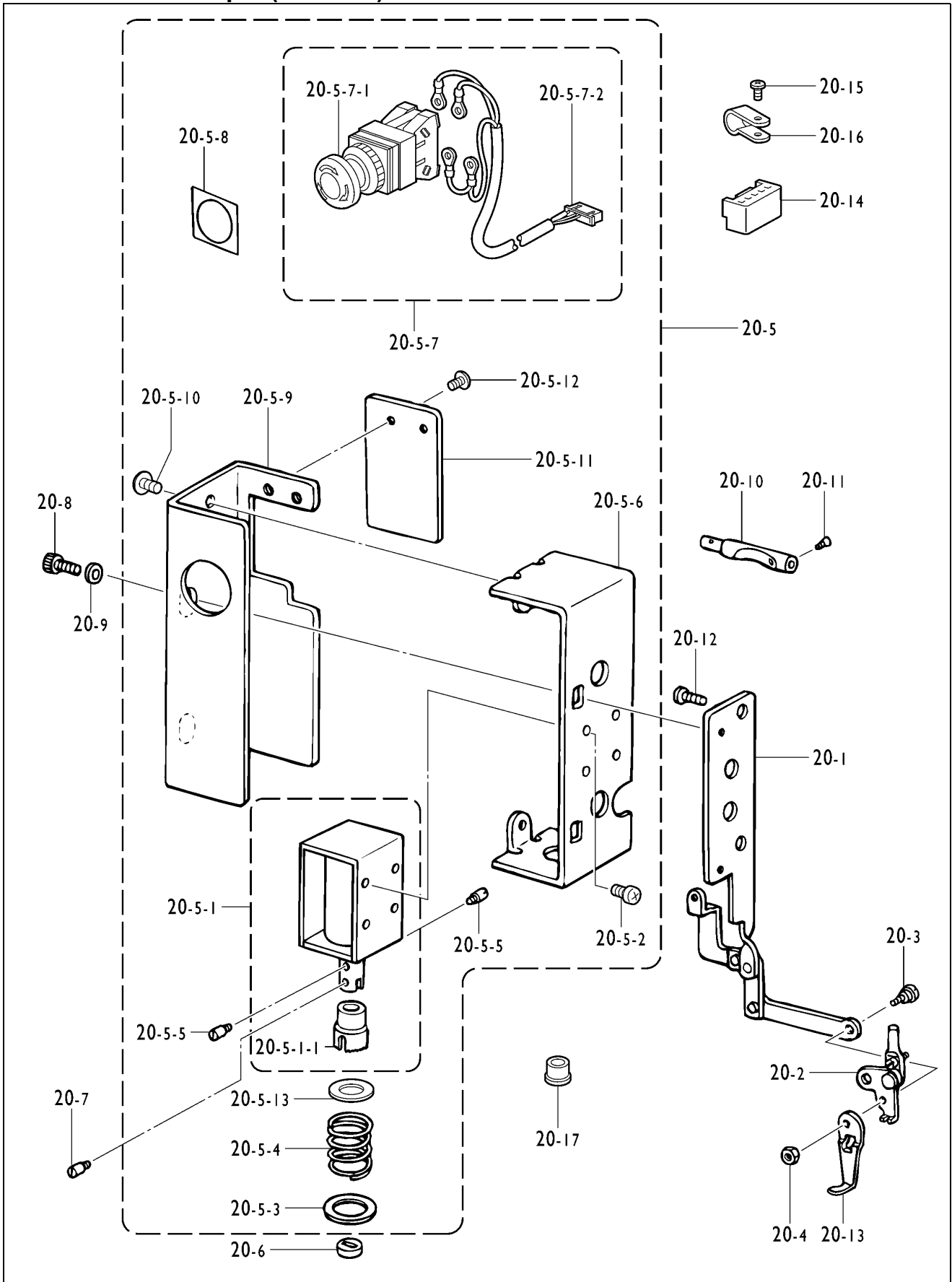
Two-stage work clamp, light work clamp and inner clamping device can be used (for pneumatic).

For attaching items, sewing labels, etc.

\*If you want to sew a pattern, you can create your original pattern using the PS-3000.

Consult with your local Brother Sales Office for details.

**Optional device  
Solenoid thread wiper (KE-434C)**



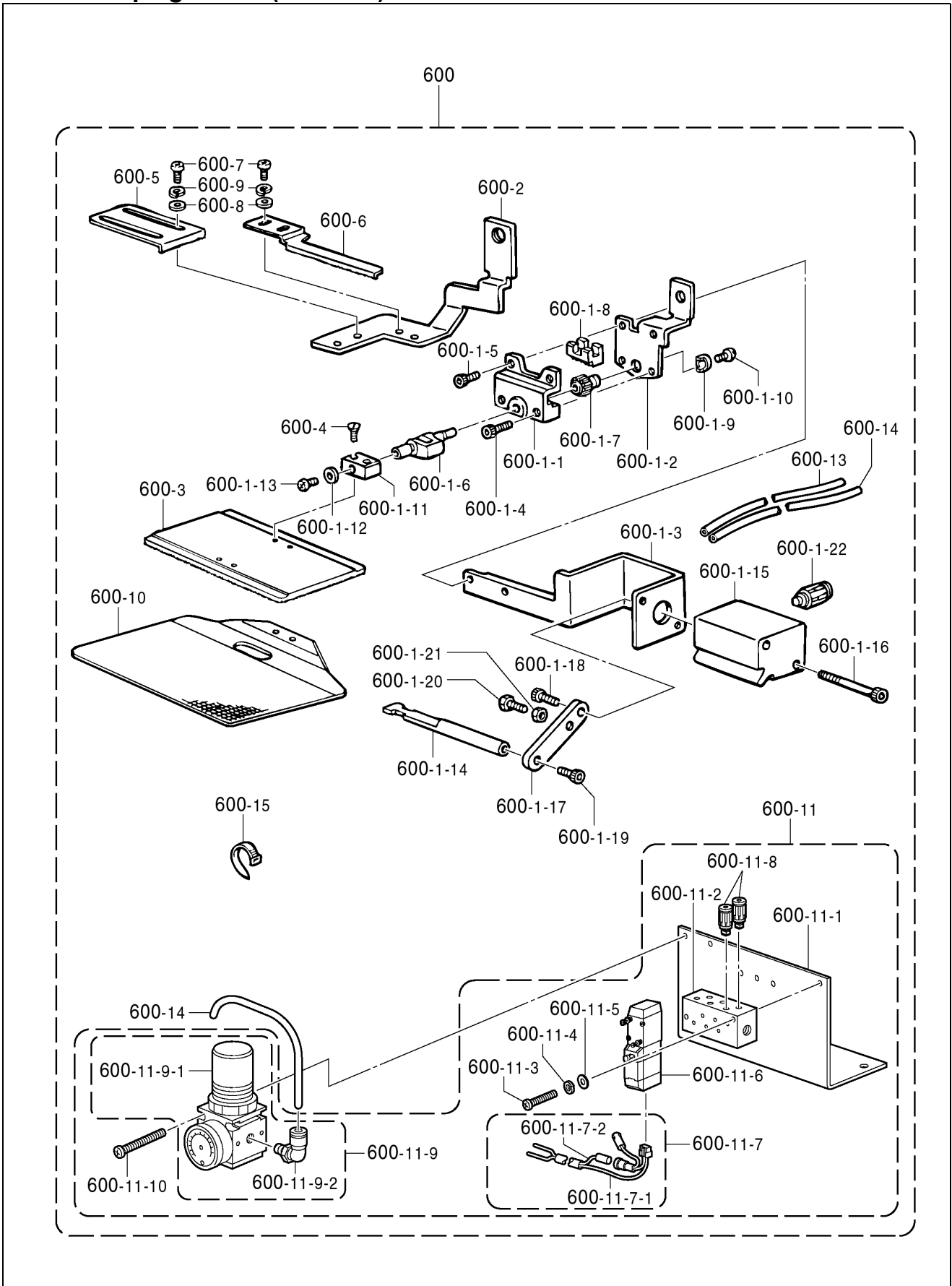
**Optional device**  
**Solenoid thread wiper (KE-434C)**

Ref. No.	Part name	Part code	Q'ty
20	Sol. Type thread wiper assy	S49615-009	1
20-1	TR-wiper connecting rod assy	S41656-001	1
20-2	Thread wiper arm assy	S44600-001	1
20-3	Shoulder screw, SM3.57	153112-001	1
20-4	Nut, 2 SM3.57	021670-202	1
20-5	Solenoid box assy	S49616-009	1
20-5-1	Thread wiper solenoid assy	S49619-001	1
20-5-1-1	Plunger rubber	S41204-050	1
20-5-2	Screw, pan M3 × 6	062300-612	4
20-5-3	Washer, plain	S41205-001	1
20-5-4	Thread wiper spring	S41206-001	1
20-5-5	Plunger pin	S25456-001	2
20-5-6	W-solenoid setting plate	S42017-109	1
20-5-7	EM-lock switch & harness assy	S49482-000	1
20-5-7-1	Switch :AVS311N	S32335-000	1
20-5-7-2	EM-switch harness	S49466-000	1
20-5-8	EM-switch spacer, 3	S37057-001	1
20-5-9	Wiper solenoid cover	S42018-109	1
20-5-10	Screw, truss M4 × 6	008400-604	2
20-5-11	Solenoid cover lid, E	S37806-109	1
20-5-12	Screw, truss M4 × 6	008400-604	2
20-5-13	Washer, plain 13	115007-001	1
20-6	Spacer rubber	S41207-000	1
20-7	Plunger pin	S25456-001	1
20-8	Bolt, socket M4 × 6	018400-632	2
20-9	Washer	100645-003	2
20-10	Tension release rod, DW	S41657-001	1
20-11	Screw, flat M3.5 × 6	061350-616	1
20-12	Screw, pan SM4.37-40 × 8	062680-812	2
20-13	Thread wiper, A	156206-001	1
20-14	Connector, ;VHR-5N	S49947-000	1
20-15	Screw, bind SM3.57-40 × 6	060670-612	3
20-16	Cord holder, 7N	149287-000	3
20-17	Rubber cap, 15.5	104449-009	1

\*This is standard equipped for pneumatic specification.

\*This is optional for solenoid specification.

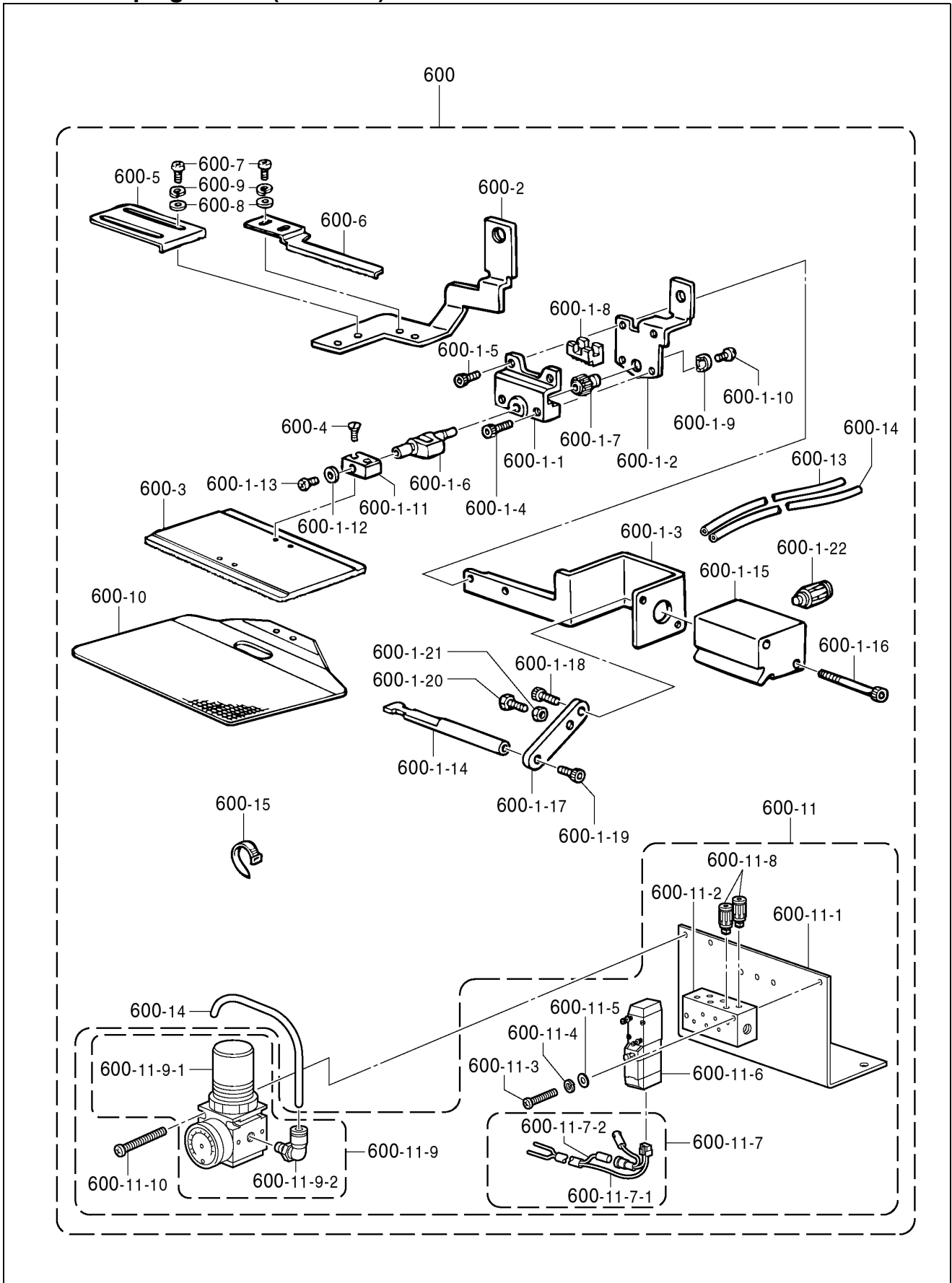
**Optional device**  
**Inner clamping device (KE-434C)**



**Optional device**  
**Inner clamping device (KE-434C)**

Ref. No.	Part name	Part code	Q'ty
600	Inner clamp device set	S54771-001	1
600-1	Work clamp crank assy, 434E	S42007-001	1
600-1-1	Work clamp crank holder, A	S12634-009	1
600-1-2	Work clamp crank holder, B	S42008-001	1
600-1-3	Reverse cylinder base	S42019-001	1
600-1-4	Bolt, socket M3 × 12	018301-236	2
600-1-5	Bolt, socket M3 × 8	018300-836	2
600-1-6	Work clamp crank, LA	S05665-001	1
600-1-7	Reverse gear	154235-001	1
600-1-8	Reverse rack	154236-001	1
600-1-9	Washer, plain S3.5	145087-001	1
600-1-10	Set screw, SM3.18	149831-101	1
600-1-11	Work clamp plate holder, L	154237-001	1
600-1-12	Washer	025350-132	1
600-1-13	Screw, SM3.57 – 40 × 5	100242-003	1
600-1-14	Reverse rod	S42020-001	1
600-1-15	Reverse cylinder	S12639-001	1
600-1-16	Bolt, socket M3 × 35	S12642-009	2
600-1-17	Reverse shaft joint	S42021-001	1
600-1-18	Bolt, socket M3 × 8	018300-836	1
600-1-19	Bolt, socket M3 × 8	018300-836	1
600-1-20	Bolt, M5 × 12	017501-216	1
600-1-21	Nut, 2M5	021500-216	1
600-1-22	Half union, ;Q4M5	S18415-101	2
600-2	Outer work clamp	S42009-101	1
600-3	Work clamp plate blank, A	154256-101	1
600-4	Screw, flat SM3.18	117291-002	2
600-5	Positioning plate, L	154252-001	1
600-6	Positioning plate, R	154253-001	1
600-7	Screw, pan SM3.57 – 40 x 5	062670-512	4
600-8	Washer, plain L3.5	025350-332	4
600-9	Washer, spring 2 – 3.5	028350-242	4
600-10	Feed plate blank, 434R1	S43459-001	1
600-11	Inner valve assy, 3	S44745-109	1
600-11-1	Valve setting plate, 4-5H	S31570-409	1
600-11-2	Air manifold, 3	S44748-001	1
600-11-3	Screw, pan M3 × 25	062302-505	2
600-11-4	Washer, spring 2-3	028030-242	2
600-11-5	Washer, plain M3	025030-232	2
600-11-6	Solenoid valve	S43683-001	1
600-11-7	Valve harness assy, X1	S43696-100	1
600-11-7-1	Valve harness	S44746-100	1
600-11-7-2	Valve harness, 24V	S44750-100	1
600-11-8	Half union, ;Q4M5	S18415-101	2
600-11-9	Regulator assy	S45252-000	1
600-11-9-1	Regulator	S45253-000	1
600-11-9-2	Joint, 3109 – 4 - 10	S45254-000	2
600-11-10	Screw, pan M4 × 40	062404-005	2
600-12	Air tube, 4L = 300	S28741-000	1
600-13	Air tube, RV-3A L = 1600	S53118-001	1
600-14	Air tube, RV-3B L = 1600	S53118-002	1
600-15	Tying band, 1.9 × 80	228475-000	3

**Optional device  
Inner clamping device (KE-435C)**


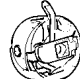












**Optional device**  
**Inner clamping device (KE-435C)**

Ref. No.	Part name	Part code	Q'ty
600	Inner clamp device set	SA0709-001	1
600-1	Work clamp crank assy, 434E	S42007-001	1
600-1-1	Work clamp crank holder, A	S12634-009	1
600-1-2	Work clamp crank holder, B	S42008-001	1
600-1-3	Reverse cylinder base	S42019-001	1
600-1-4	Bolt, socket M3 × 12	018301-236	2
600-1-5	Bolt, socket M3 × 8	018300-836	2
600-1-6	Work clamp crank, LA	S05665-001	1
600-1-7	Reverse gear	154235-001	1
600-1-8	Reverse rack	154236-001	1
600-1-9	Washer	145087-001	1
600-1-10	Set screw, SM3.18	149831-101	1
600-1-11	Work clamp plate holder, L	154237-001	1
600-1-12	Washer, plain S3.5	025350-132	1
600-1-13	Screw, SM3.57 – 40 × 5	100242-003	1
600-1-14	Reverse rod	S42020-001	1
600-1-15	Reverse cylinder	S12639-001	1
600-1-16	Bolt, socket M3 × 35	S12642-009	2
600-1-17	Reverse shaft joint	S42021-001	1
600-1-18	Bolt, socket M3 × 8	018300-836	1
600-1-19	Bolt, socket M3 × 8	018300-836	1
600-1-20	Bolt, M5 × 12	017501-216	1
600-1-21	Nut, 2M5	021500-216	1
600-1-22	Half union, ;Q4M5	S18415-101	2
600-2	Outer work clamp	S42009-101	1
600-3	Work clamp plate blank, A	154256-101	1
600-4	Screw, flat SM3.18	117291-002	2
600-5	Positioning plate, L	154252-001	1
600-6	Positioning plate, R	154253-001	1
600-7	Screw, pan SM3.57 – 40 x 5	062670-512	4
600-8	Washer, plain L3.5	025350-332	4
600-9	Washer, spring 2 – 3.5	028350-242	4
600-10	Feed plate blank, 434R1	S43459-001	1
600-11	Inner valve assy, 4	SA0048-001	1
600-11-1	Valve setting plate, 4-5H	S31570-409	1
600-11-2	Air manifold, 4	S44749-001	1
600-11-3	Screw, pan M3 × 25	062302-505	2
600-11-4	Washer, spring 2-3	028030-242	2
600-11-5	Washer, plain M3	025030-232	2
600-11-6	Solenoid valve	S43683-001	1
600-11-7	Valve harness assy, X1	S43696-100	1
600-11-7-1	Valve harness	S44746-100	1
600-11-7-2	Valve harness, 24V	S44750-100	1
600-11-8	Half union, ;Q4M5	S18415-101	2
600-11-9	Regulator assy	S45252-000	1
600-11-9-1	Regulator	S45253-000	1
600-11-9-2	Joint, 3109 – 4 - 10	S45254-000	2
600-11-10	Screw, pan M4 × 40	062404-005	2
600-12	Air tube, 4L = 300	S28741-000	1
600-13	Air tube, RV-3A L = 1600	S53118-001	1
600-14	Air tube, RV-3B L = 1600	S53118-002	1
600-15	Tying band, 1.9 × 80	228475-000	3

## Different parts list


\*In the following table, parts marketed ☆ are common with the BAS-311F.

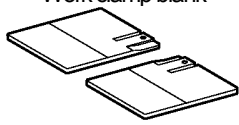
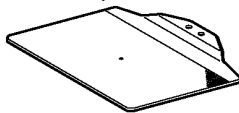
Spec. Part name	KE-434C			KE-435C
	434C-1	434C-2	434C-option	
	Medium-weight materials	Heavy-weight materials	Extra heavy-weight materials	Heavy-weight materials
Needle hole plate 	(φ2.2) S49980-001 <FM>	(φ2.6) S10212-101 <E>		(φ2.6) S10212-101 <E>
Bobbin case assy 	159610-301 <A>	152690-401 <B>		152690-401 <B>
	S59221-001 <LC>			S59221-001 <LC>
Tension spring 	154339-101 <A>	154340-101 <B>		154340-101 <B>
	-			-
Screw 	154341-001			154341-001
	-			-
Spring, anti-spin 	159612-001 <A>	154342-001 <B>		154342-001 <B>
	-			-
Bobbin 	159613-051		154663-001 <B>	159613-051
	S44633-001 <LAN>			S44633-001 <LAN>
Shuttle hook assy w/box 	SA1881-001 <A>	SA1882-001 <B>		SA1882-001 <B>
	SA2173-001 <LF> ☆	SA1890-001 <LG> ☆		SA1890-001 <LG> ☆
Shuttle race body 	152682-101 <A>	152686-101 <B>		152686-101 <B>
Tension spring 	104525-001	107606-001	S06548-001 <C>	107606-001
Thread take-up spring 	145519-001	144588-001 <B>		144588-001 <B>
Needle bar thread guide   A B	S41222-101 <B>	152890-001 <A>	S02439-001 <B>	S02438-001 <A> ☆



## Different parts list

\*In the following table, parts marketed ☆ are common with the BAS-311F.

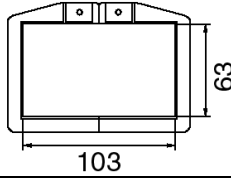
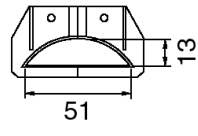
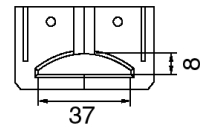
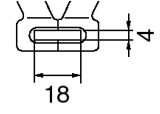
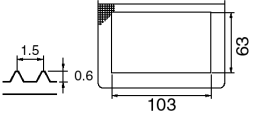
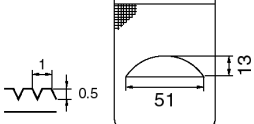
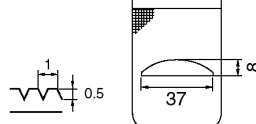
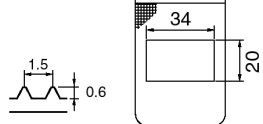
Part name	KE-434C			KE-435C
	434C-1	434C-2	434C-option	
Needle Assy	SA1752-014 <#14>	SA1579-019 <#19>	SA1645-025 <#25> ☆	SA1579-019 <#19>
	Inner clamping device DP x 17 <#14> SA1645-014			
Needle 	DP x 5 <#14> 107415-014	DP x 17NY <#19> S37928-019	DP x 17NY <#25> ☆ 145646-025	DP x 17NY <#19> S37928-019
	Inner clamping device DP x 17 <#14> 145646-014			

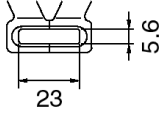
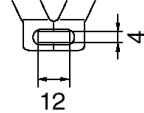
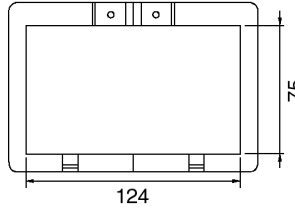
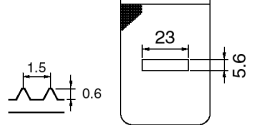
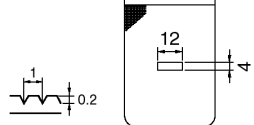
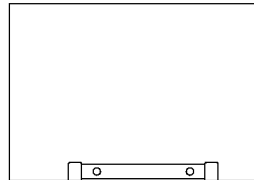
Part name	KE-434C			KE-435C
	434C-1	434C-2	434C-option	
Work clamp blank 	434-1L S42031-001	434-2L S42033-001	154256-101 <A>	434E SF-2L S46545-001
	434-1R S42030-001	434-2R S42032-001		434E SF-2R S46544-001
Feed plate blank 	434-1 S42034-001	434-2 S42035-001	434-R1 S43459-001	434E SF-2 S44942-001

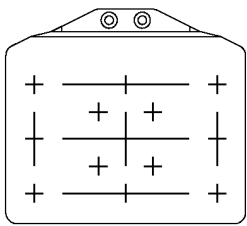
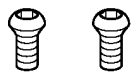
# Gauge parts list

The following are provided as optional gauge parts.

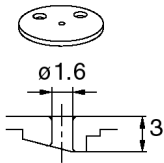
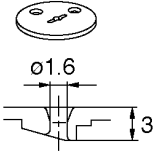
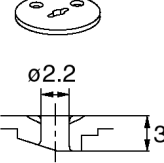
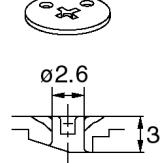
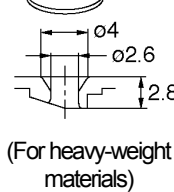
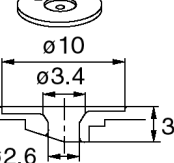
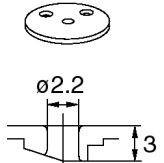
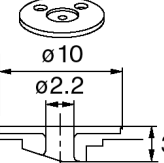
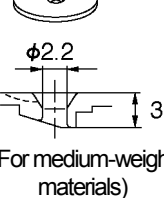
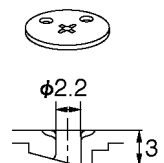
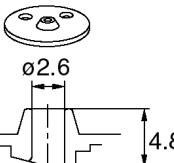
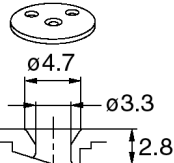
Each work clamp pair is used in combination with the feed plate directly below them.

	<100 x 60>	<48 x 10 x R30>	<34 x 5 x R28>	<Bar tack "16 x 2">
R	153493-001	S23377-001 (519)	S27836-001 (895)	156085-001 (M)
L	153498-001	S23378-001 (519)	S27837-001 (895)	156086-001 (M)
Work clamp,				
Feed plate	153503-001 	S23379-001 (519) 	S27838-001 (895) 	156087-001 (M) 

	<Bar tack "20 x 3">	<Bar tack "10 x 2">	<For one-touch work clamp>		
R	156082-001 (L)	156088-001 (S)	S44940-001 (434E SF)		
L	156083-001 (L)	156089-001 (S)	S44941-001 (434E SF)		
Work clamp,					
	156084-001 (L)	156090-001 (S)	S43990-001 (A)	S43991-001 (B)	S43992-001 (C)
Feed plate			Plastic work clamp blank  A: t = 0.5 B: t = 1.0 C: t = 2.0		

Gauge assy, 434E MK2 S54984-001	
Home position standard plate S52100-001 	Screw, w/socket SM4.37 S49955-001 

# Gauge parts list

Needle hole plate											
A	S10211-001	AF	S51449-001	BZ	S41013-001	D	S29997-001	E	S10212-101	ED	S30925-001
											
F	S10213-001	FD	S30926-001	FM	S49980-001	FZ	S59620-001	H	S30450-001	L	S25127-001
											
M	S34348-001	3 countersink S40217-001									
